

## CFP2

### EC2xx10X-3LCD30

#### RoHS Compliant 100Gb/s CFP2 ER4 Lite 30km Optical Transceiver

- Supports up to 112Gbps bit rates
- Duplex LC connector
- Hot pluggable
- Operating electrical serial data rate up to 27.952493Gbps
- APD ROSA
- 4 parallel electrical serial interface
- Applicable for 30km SMF connection
- Low power consumption, <12W
- Digital Diagnostic Monitor Interface
- MDIO Communication Interface
- Compliant with 100GBASE-ER4
- Operating case temperature:



## Applications

- Local Area Network(LAN)
- Wide Area Network(WAN)
- Switch to router interface

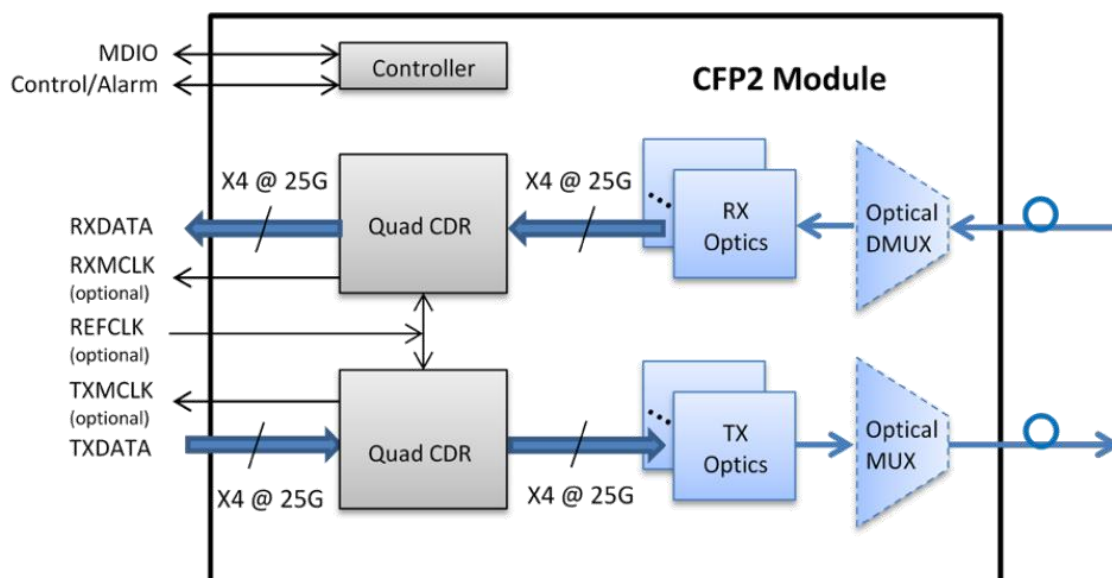
## Standards

- Compliant with IEEE 802.3ba
- Compliant with CFP2 MSA hardware specifications
- Compliant with CFP2 MSA management specifications
- Compliant with ITU-T G709/Y.1331
- Compliant with RoHS

## Functional Description

ETU-LINK EC2xx10X-3LCD30 is a 100G CFP2 ER4 optical transceiver which integrates transmit and receive path onto one module. On the transmit side, four lanes of serial data streams are recovered, retimed, and passed on to four laser drivers, which control four electric-absorption modulated lasers (EMLs) with 1296, 1300, 1305, and 1309 nm center wavelengths. The optical signals are then multiplexed into a single-mode fiber through an industry-standard LC connector. On the receive side, four lanes of optical data streams are optically de-multiplexed by an integrated optical de-multiplexer. Each data stream is recovered by a PIN photodetector and trans-impedance amplifier, retimed, and passed on to an output driver. This module features a hot-pluggable electrical interface, low power consumption, and MDIO management interface.

## Functional Diagram



## Absolute Maximum Ratings

Parameter	Symbol	Min.	Max.	Unit	Note
Supply Voltage	Vcc	-0.5	3.6	V	
Storage Temperature	Ts	-40	85	°C	
Relative Humidity	RH	0	85	%	

**Note:** Stress in excess of the maximum absolute ratings can cause permanent damage to the transceiver.

## Recommended Operating Conditions

Parameter	Symbol	Min.	Typ	Max.	Unit	Note
Data Rate	DR		103.2	112	Gb/s	
Supply Voltage	Vcc	3.14	3.3	3.46	V	
Operating Case Temp.	Tc	0		70	°C	

## Electrical Characteristics

(Tested under recommended operating conditions, unless otherwise noted)

Parameter		Symbol	Unit	Min	Typ	Max	Notes
<b>Voltage Supply Electrical Characteristics</b>							
Supply Current	Tx Section	Icc	A			3.75	1
	Rx Section						
Power Supply Noise		Vrip				2% DC	1MHz
						3% 1	10MHz
Total Dissipation Power	Class1	Pw	W			3	
	Class2					6	
	Class3					9	
	Class4					12	
Low Power Mode Dissipation		Plow	W			2	
Inrush Current	Class1	I-inrush	mA/usec			100	
Turn-off Current	Class2						
Inrush Current	Class3	I-inrush	mA/usec			200	
Turn-off Current	Class4						
<b>Different Signal Electrical Characteristics</b>							
Single Ended Data Input Swing			mV	20		525	
Single Ended Data Output Swing			mV	180		385	
Differential Signal Output Resistance			Ω	80		120	
Differential Signal Input Resistance			Ω	80		120	
<b>3.3V LVCMOS Electrical Characteristics</b>							
Input High Voltage		3.3VIH	V	2.0		Vcc+0.3	
Input Low Voltage		3.3VIL	V	-0.3		0.8	
Input Leakage Current		3.3IIN	uA	-10		+10	
Output High Voltage (IOH=100uA)		3.3VOH	V	Vcc-0.2			
Output Low Voltage (IOL=100uA)		3.3VOL	V			0.2	
Minimum Pulse Width of Control Pin Signal		t_CNTL	us	100			

## 1.2V LVCMOS Electrical Characteristics

Input High Voltage	1.2VIH	V	0.84		1.5	
Input Low Voltage	1.2VIL V	0.3	1.2VIL V		0.36	
Input Leakage Current	1.2IIN	uA	-100		+100	
Output High Voltage	1.2VOH	V	1.0		1.5	
Output Low Voltage	1.2VOL	V	-0.3		0.2	
Output High Current	1.2IOH	mA			-4	
Output Low Current	1.2IOL	mA	+4			
Input Capacitance	Ci	pF			10	

## Optical Characteristics

(Tested under recommended operating conditions, unless otherwise noted)

Parameter	Symbol	Unit	Min	Typ	Max	Notes
<b>Optical Transmitter Characteristics</b>						
Signaling rate, each lane		GBd	25.78125 ±100 ppm			100GBase-ER4
			27.9525 ±20 ppm			OTU4
Four Lane Wavelength Range	λ1	nm	1294.53	1295.56	1296.59	
	λ2		1299.02	1300.05	1301.09	
	λ3		1303.54	1304.58	1305.63	
	λ4		1308.09	1309.14	1310.19	
Total launch power		dBm			8.9	100GBase-ER4
Average launch power, each lane	Pavg	dBm	-2.9		2.9	2
Optical modulation amplitude, each lane (OMA) <sup>2</sup>	OMA	dBm	0.1		4.5	
Difference in launch power between any two lanes (OMA)		dB			3.6	
Extinction ratio	ER	dB	8			100GBase-ER4
Side-mode suppression ratio	SMSR	dB	30			
Transmitter and dispersion penalty, each lane	TDP	dB			2.5	
Optical return loss tolerance		dB			20	
Transmitter reflectance <sup>3</sup>		dB			-12	
Transmitter eye mask {X1, X2, X3, Y1, Y2, Y3}			{0.25, 0.4, 0.45, 0.25, 0.28, 0.4}			100GBase-ER4
<b>Optical Receiver Characteristics</b>						
Receive Rate for Each Lane		Gbps		25.78125	27.9525	
Overload Input Optical Power	Pmax	dBm	5.5			3
Average Receive Power for Each Lane	Pin	dBm	-16		4.5	4, 5 (-20.9)
Receive Power In OMA for Each Lane	PinOMA	dBm			4.5	
Difference in Receive Power in OMA between Any Two Lanes		dBm			4.5	

Receiver Sensitivity in OMA for Each Lane	SOMA	dBm			-16	6 (-21.4)
Stressed Receiver Sensitivity in OMA for Each Lane		dBm			-12	7, 8 (-17.9)

**Notes:**

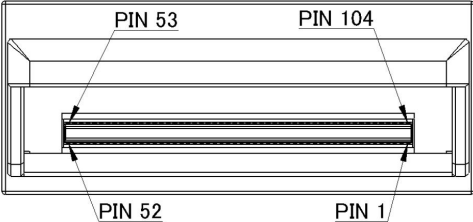
1. The supply current includes CFP2 module's supply current and test board working current.
2. Average launch power, each lane (min) is informative for 100GBase-LR4, not the principal indicator of signal strength.
3. The receiver shall be able to tolerate, without damage, continuous exposure to an optical input signal having this average power level
4. The average receive power, each lane (max) for 100GBASE-ER4 is larger than the 100BASE-ER4 transmitter value to allow compatibility with 100BASE-LR4 units at short distances
5. Average receive power, each lane (min) is informative and not the principal indicator of signal strength. A received power below this value cannot be compliant; however, a value above this does not ensure compliance
6. Receiver sensitivity (OMA), each lane (max) is informative
7. Measured with conformance test signal at TP3 for BER=10<sup>-12</sup>
8. Conditions of stressed receiver sensitivity test: vertical eye closure penalty for each lane is 1.8dB; stressed eye J2 jitter for each lane is 0.3UI; stressed eye J9 jitter for each lane is 0.47UI.

## High Speed Electrical Characteristics

Parameter	Symbol	Unit	Min.	Max.	Notes
Impedance	Zd	Ω	90	110	
Frequency		MHz	161.1328125		1/64 of electrical lane rate
Frequency Stability	Δf	ppm	-100	100	For Ethernet
			-20	20	For Telecom
Differential Voltage	VDIFF	mV	400	900	Peak to Peak Differential
Common mode noise (rms)		mV		17.5	
RMS jitter		ps		10	Random Jitter Over frequency band of 10KHZ<f<10MHZ
Clock Duty Cycle		%	40	60	

## Pin Function Definitions

The CFP2 connector has 104 pins which are arranged in Top and Bottom rows. The pin map is shown in Table below:



Bottom		Top	
1	GND	104	GND
2	(TX_MCLKn)	103	N.C.
3	(TX_MCLKp)	102	N.C.
4	GND	101	GND
5	N.C.	100	TX3n
6	N.C.	99	TX3p
7	3.3V_GND	98	GND
8	3.3V_GND	97	TX2n
9	3.3V	96	TX2p
10	3.3V	95	GND
11	3.3V	94	N.C.
12	3.3V	93	N.C.
13	3.3V_GND	92	GND
14	3.3V_GND	91	N.C.
15	VND IO A	90	N.C.
16	VND IO B	89	GND
17	PRG CNTL1	88	TX1n
18	PRG CNTL2	87	TX1p
19	PRG CNTL3	86	GND
20	PRG ALRM1	85	TX0n
21	PRG ALRM2	84	TX0p
22	PRG ALRM3	83	GND
23	GND	82	N.C.
24	TX DIS	81	N.C.
25	RX LOS	80	GND
26	MOD LOPVR	79	(REFCLKn)
27	MOD ABS	78	(REFCLKp)
28	MOD RSTn	77	GND
29	GLB ALRMn	76	N.C.
30	GND	75	N.C.
31	MDC	74	GND
32	MDIO	73	RX3n
33	PRTADR0	72	RX3p
34	PRTADR1	71	GND
35	PRTADR2	70	RX2n
36	VND IO C	69	RX2p
37	VND IO D	68	GND
38	VND IO E	67	N.C.
39	3.3V_GND	66	N.C.
40	3.3V_GND	65	GND
41	3.3V	64	N.C.
42	3.3V	63	N.C.
43	3.3V	62	GND
44	3.3V	61	RX1n
45	3.3V_GND	60	RX1p
46	3.3V_GND	59	GND
47	N.C.	58	RX0n
48	N.C.	57	RX0p
49	GND	56	GND
50	(RX_MCLKn)	55	N.C.
51	(RX_MCLKp)	54	N.C.
52	GND	53	GND

Pin	Name	I/O	Logic	Description
1	GND			
2	(TX_MCLKn)	O	CML	For optical waveform testing. Not for normal use.
3	(TX_MCLKp)	O	CML	For optical waveform testing. Not for normal use.
4	GND			
5	N.C			No Connect
6	N.C			
7	3.3V_GND			3.3V Module Supply Voltage Return Ground, can be separate or tied together with Signal Ground
8	3.3V_GND			
9	3.3V			3.3V Module Supply Voltage
10	3.3V			
11	3.3V			
12	3.3V			
13	3.3V_GND			3.3V Module Supply Voltage Return Ground, can be separate or tied together with Signal Ground
14	3.3V_GND			

15	VND_IO_A	I/O		Module Vendor I/O A. Do Not Connect!
16	VND_IO_B	I/O		Module Vendor I/O A. Do Not Connect!
17	PRG_CNTL1	I	LVC MOS w/ PUR	Programmable Control 1 set over MDIO, MSA Default: TRXIC_RSTn, TX & RX ICs reset, "0": reset, "1" or NC: enabled = not used
18	PRG_CNTL2	I	LVC MOS w/ PUR	Programmable Control 2 set over MDIO, MSA Default: Hardware Interlock LSB, "00": ≤3W, "01": ≤6W, "10": ≤9W, "11" or NC: ≤12W = not used
19	PRG_CNTL3	I	LVC MOS w/ PUR	Programmable Control 2 set over MDIO, MSA Default: Hardware Interlock LSB, "00": ≤3W, "01": ≤6W, "10": ≤9W, "11" or NC: ≤12W = not used
20	PRG_ALARM1	O	LVC MOS	Programmable Alarm 1 set over MDIO, MSA Default: HIPWR_ON, "1": module power up completed, "0": module not high powered up
21	PRG_ALARM2	O	LVC MOS	Programmable Alarm 2 set over MDIO, MSA Default: MOD_READY, "1": Ready, "0": not Ready.
22	PRG_ALARM3	O	LVC MOS	Programmable Alarm 3 set over MDIO, MSA Default: MOD_FAULT, fault detected, "1": Fault, "0": No Fault
23	GND			
24	TX_DIS	I	LVC MOS w/ PUR	Transmitter Disable for all lanes, "1" or NC = transmitter disabled, "0" = transmitter enabled
25	RX_LOS	O	LVC MOS	Receiver Loss of Optical Signal, "1": low optical signal, "0": normal condition
26	MOD_LOPWR	I	LVC MOS w/ PUR	Module Low Power Mode. "1" or NC: module in low power (safe) mode, "0": power-on enabled
27	MOD_ABS	O	GND	Module Absent. "1" or NC: module absent, "0": module present, Pull Up Resistor on Host
28	MOD_RSTn	I	LVC MOS w/ PDR	Module Reset. "0" resets the module, "1" or NC = module enabled, Pull Down Resistor in Module
29	GLB_ALRMn	O	LVC MOS	Global Alarm. "0": alarm condition in any MDIO Alarm register, "1": no alarm condition, Open Drain, Pull Up Resistor on Host
30	GND			
31	MDC	I	1.2VCMOS	Management Data Clock (electrical specs as per IEEE Std 802.3ae-2008 and ba-2010)
32	MDIO	I/O	1.2VCMOS	Management Data I/O bi-directional data (electrical specs as per IEEE Std 802.3ae-2008 and ba-2010)
33	PRTADR0	I	1.2VCMOS	MDIO Physical Port address bit 0
34	PRTADR1	I	1.2VCMOS	MDIO Physical Port address bit 1
35	PRTADR2	I	1.2VCMOS	MDIO Physical Port address bit 2
36	VND_IO_C	I/O		Module Vendor I/O C. Do Not Connect!
37	VND_IO_D	I/O		Module Vendor I/O D. Do Not Connect!
38	VND_IO_E	I/O		Module Vendor I/O E. Do Not Connect!
39	3.3V_GND			
40	3.3V_GND			
41	3.3V			3.3V Module Supply Voltage
42	3.3V			
43	3.3V			
44	3.3V			
45	3.3V_GND			
46	3.3V_GND			

47	N.C			No Connect
48	N.C			
49	GND			
50	(RX_MCLKn)	O	CML	For optical waveform testing. Not for normal use.
51	(RX_MCLKp)	O	CML	
52	GND			
53	GND			
54	N.C.			
55	N.C.			
56	GND			
57	RX0p			25 Gbps receiver data; Lane 0
58	RX0n			25 Gbps receiver data bar; Lane 0
59	GND			
60	RX1p			25 Gbps receiver data; Lane 1
61	RX1n			25 Gbps receiver data bar; Lane 1
62	GND			
63	N.C.			
64	N.C.			
65	GND			
66	N.C.			
67	N.C.			
68	GND			
69	RX2p			25 Gbps receiver data; Lane 2
70	RX2n			25 Gbps receiver data bar; Lane 2
71	GND			
72	RX3p			25 Gbps receiver data; Lane 3
73	RX3n			25 Gbps receiver data bar; Lane 3
74	GND			
75	N.C.			
76	N.C.			
77	GND			
78	(REFCLKp)		CML	Module reference clock. No connect.
79	(REFCLKn)		CML	Module reference clock. No connect.
80	GND			
81	N.C.			
82	N.C.			
83	GND			
84	TX0p			25 Gbps transmitter data; Lane 0
85	TX0n			25 Gbps transmitter data bar; Lane 0
86	GND			
87	TX1p			25 Gbps transmitter data; Lane 1
88	TX1n			25 Gbps transmitter data bar; Lane 1
89	GND			
90	N.C.			
91	N.C.			
92	GND			



93	N.C.			
94	N.C.			
95	GND			
96	TX2p			25 Gbps transmitter data; Lane 2
97	TX2n			25 Gbps transmitter data bar; Lane 2
98	GND			
99	TX3p			25 Gbps transmitter data; Lane 3
100	TX3n			25 Gbps transmitter data bar; Lane 3
101	GND			
102	N.C.			
103	N.C.			
104	GND			

## Hardware Control Pins

The CFP2 Module support real-time control functions via hardware pins, listed in the following

Pin	Symbol	Description	I/O	Logic	H	L	Pull-up/down
17	PRG_CNTL1	Programmable Control 1 MSA Default:TRXIC_RST n , TX&RX ICs reset, “0”:reset;”1”	I	3.3V LVCMOS	per CFP MSA Management Interface Specification		Pull-Up Note1
18	PRG_CNTL2	Programmable Control 2 MSA Default :Hardware Interlock LSB	I	3.3V LVCMOS			Pull-Up Note1
19	PRG_CNTL3	Programmable Control 3 MSA Default: Hardware Interlock MSB	I	3.3V LVCMOS			Pull-Up Note1
26	MOD_LOPW R	Module Low Power Mode	I	3.3VLVCMOS LowPower Enable Pull-Up	Low Power	Enable	Pull-Up Note1
28	MOD_RSTn	Module Reset(Invert)	I	3.3V LVCMOS	Enable	Reset	Pull-Down Note2

### Notes:

1. Pull-Up resistor (4.7KOhm to 10 KOhm) is located within the CFP2 module
2. Pull-Down resistor (4.7KOhm to 10 kohms) is located within the CFP2 module

## Hardware Alarm Pins

The CFP2 Module supports alarm hardware pins listed in the following

Pin	Symbol	Description	I/O	Logic	H	L	Pull-up/down
20	PRG_ALR M1	Programmable Alarm 1	O	3.3VLVCMOS	Active High per MDIO document		

		MSA Default: HIPWR_ON					
21	PRG_ALR M2	Programmable Alarm 2 MSA default: MOD_READY , Ready State has been reached	O	3.3VLVCMOS			
22	PRG_ALR M3	Programmable Alarm 3 MSA Default: MOD_FAULT	O	3.3VLVCMOS			
27	MOD_ABS	Module Absent	O	3.3VLVCMOS	Absent	Present	Pull-Down Note 1
25	RX_LOS	Receiver Loss of Signal	O	3.3VLVCMOS	Loss of Signal	OK	

**Note:**

1.: Pull-Down resistor (<100Ohm) is located within the CFP2 module. Pull-up should be located on the host

## Management Interface Pins(MDIO)

The CFP2 Module supports alarm, control and monitor functions via an MDIO bus. The CFP2 MDIO pins are listed in the following:

.	Symbol	Description	I/O	Logic	H	L	Pull-up/down
29	GLB-ALR Mn	Global Alarm	I	3.3V LVC MOS	OK	Alarm	
32	MDIO	Management interface bidirectional data	I/O	1.2V LVC MOS			
31	MDC	Management interface clock input	I	1.2V LVC MOS			
33	PRTADR0	MDIO physical port address bit 0	I	1.2V LVC MOS	Per MDIO		
34	PRTADR1	MDIO physical port address bit 1	I	1.2V LVC MOS			
35	PRTADR2	MDIO physical port address bit 2	I	1.2V LVC MOS			

## Hardware Signaling Pin Timing Requirements

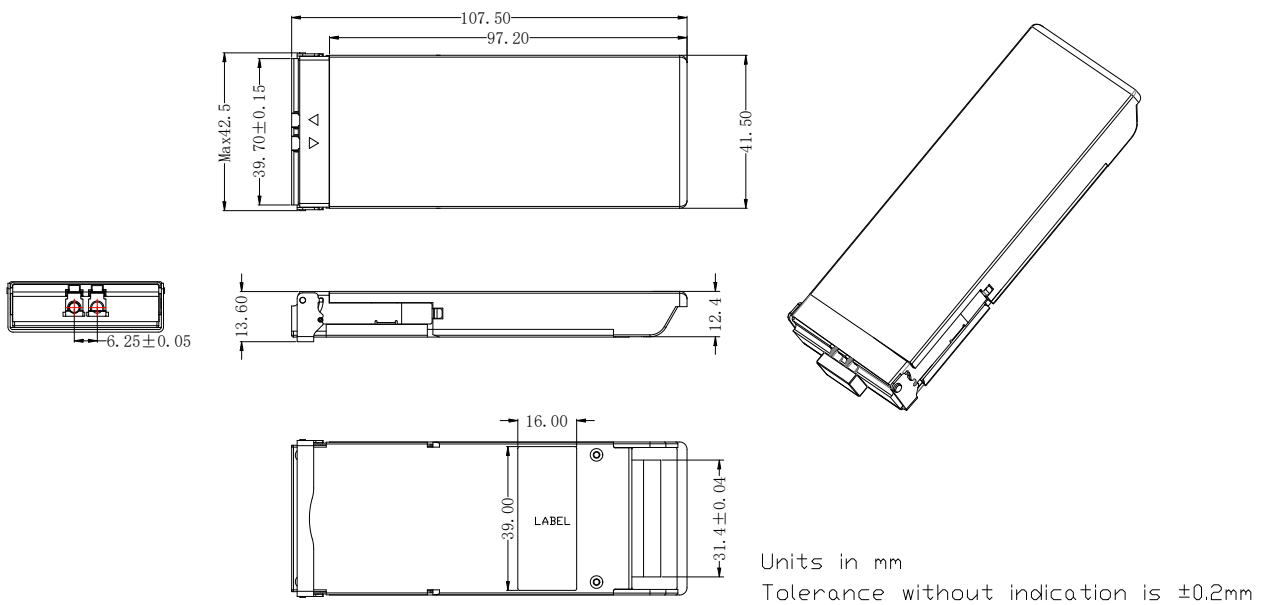
Timing Parameters for CFP2 hardware Signal Pins are listed in the following:

Parameter	Symbol	Unit	Min.	Max.	Notes
Hardware MOD_LOPWR assert	t_MOD_LO PWR_assert	ms		1	
Hardware MOD_LOPWR deassert	t_MOD_LOPWR_deassert	s		60	Stored in NVR register 8072h
Management interface clock period	t_prd	ns	250		MDC is 4 MHz rate or less
Host MDIO setup time	t_setup	ns	10		
Host MDIO hold time	t_hold	ns	10		
CFP2 MDIO delay time	t_delay	ns	0	175	
GLB_ALARM assert time	GLB_ALARMn_assert	ms		150	A logic "OR" of associated MDIO alarm and status registers
GLB_ALARM deassert time	GLB_ALARMn_deassert	ms		150	A logic "OR" of associated MDIO alarm and status registers
Minimum pulse width of control pin signal	t_CNTL	μs	100		
Initialization time from reset	t_initialize	s		2.5	
TX_Disable assert time	t_deassert	μs		100	Transmitter disable, application specific
TX_Disable deassert time1	t_assert	ms		5	Time from Tx Disable pin deasserted until CFP2 module enters the Tx-turn-on state Stored in NVR register 8073h
RX_LOS assert time	t_loss_assert	μs		100	From occurrence of loss of signal to assertion of RX_LOS
RX_LOS deassert time	t_loss_deassert	μs		100	From occurrence of return of signal to deassert of RX_LOS

## CFP2 Lane Assignment

Lane	Center Frequency	Center Wavelength	Wavelength Range
L0	231.4 THz	1295.56 nm	1294.53 to 1296.59 nm
L1	230.6 THz	1300.05 nm	1299.02 to 1301.09 nm
L2	229.8 THz	1304.58 nm	1303.54 to 1305.63 nm
L3	229.0 THz	1309.14 nm	1308.09 to 1310.19 nm

## Package Dimensions



## Ordering Information

Part Number	Description
ETCFXXTXL-CD30	CFP2 100G ER4 Lite 30Km 0~70°C

## Compatibility Test

In order to ensure the product compatibility, our products will be tested on the switch before shipment. Our modules can be compatible with many mainstream brand switches, such as Cisco, Juniper, Extreme, Brocade, IBM, H3C, HP, Huawei, D-Link, Mikrotik, ZTE, TP-Link...

Our test equipment: VOLKTEK MEN-4110, HP 2530-8G, CRS226-24G-25+RM, Catalyst 2960G Series, Catalyst 3850 XS 10G SFP+, Catalyst 3750-E Series, HUAWEI S5700Series, H3C S3100V2 Series, Juniper-EX4200, etc.



**Cisco Catalyst 3850**



**HUAWEI S5700**



**H3C S3100V2**



**HP J9264AR**



**Juniper EX 4200**



**Alcatel 6850E-U24X**



**Mikrotik CR5226-24G-25+RM**



**Cisco Catalyst 2960G**



**Volktek MEN-4110**

## Product Production Process

# Quality Assurance

Continuous introduction of new equipment, produced by strict standards, strict quality inspection, to guarantee the high quality standard of each product.



**Standardized  
Production Line**



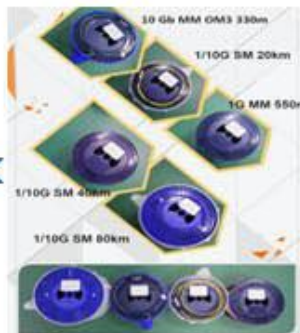
**Professional  
Welding**



**Assembling**



**Aging Testing**



**Distance Testing**



**Cleaning end face**



**Product Initial Test**



**Switch Testing**



**Product Final Test**

## Packaging

ETU-Link provides two kinds of packaging, 10pcs/Tray and individual package.



Company: ETU-Link Technology Co., LTD

Address: 4th Floor, C Building, JinBoLong Industrial Park, QingQuan Road, LongHua District, Shenzhen city, GuangDong

Tel: +86-755 2328 4603

Addresses and phone number also have been listed at [www.etulinktechnology.com](http://www.etulinktechnology.com).

Please e-mail us at [sales@etulinktechnology.com](mailto:sales@etulinktechnology.com) or call us for assistance.