

QSFP28

EQ2DP10X-330CNxx

100G QSFP28 Copper Cable Assembly

- Compliant with SFF-8636
- Support IEEE802.3Bj(Ethernet)
- I2C based two-wire serial interface for easy control and monitoring
- Hot Pluggable
- Low Crosstalk
- Low power consumption



Applications

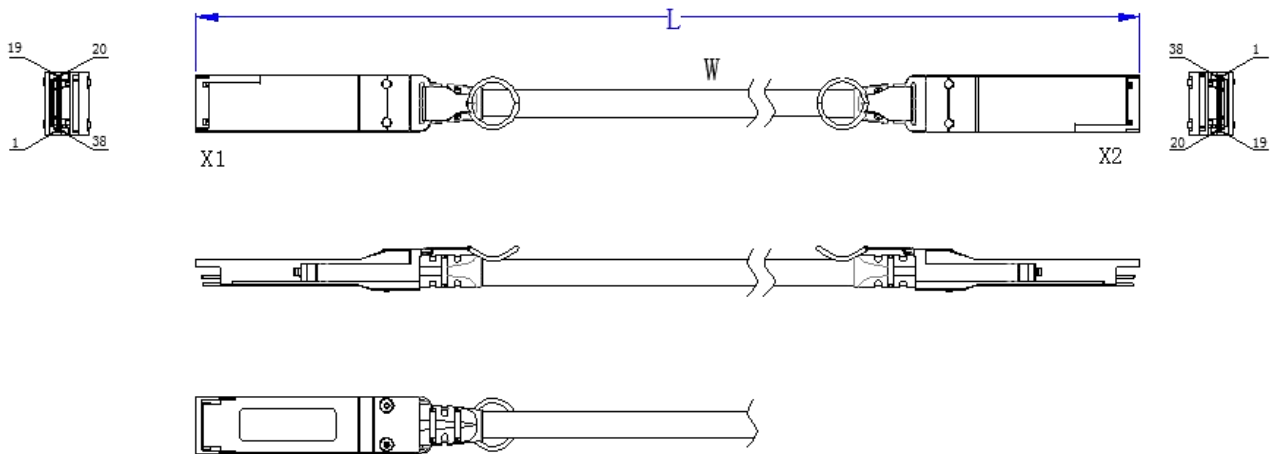
- 10G/40G /100G Gigabit Ethernet
- Infiniband SDR, DDR, QDR,FDR,EDR
- Servers ,Routers and Switches
- Data Center

Description

100G QSFP28 passive cable assembly products, based on 4 x25G or 4 x28G structure, the product can well satisfy the next generation 100G switches, servers, routers and other products of application

Requirements.QSFP28 cable adopts optimized design to reduce crosstalk and insertion loss, excellent signal integrity, fully conforms to the next generation 100G Ethernet and Infiniband EDR standards.

Outline drawing



Wiring Diagram

X1	X2	REMARKS	X1	X2	REMARKS
18(RX1-)	37(TX1-)	pair	37(TX1-)	18(RX1-)	pair
17(RX1+)	36(TX1+)		36(TX1+)	17(RX1+)	
15(RX3-)	34(TX3-)	pair	34(TX3-)	15(RX3-)	pair
14(RX3+)	33(TX3+)		33(TX3+)	14(RX3+)	
6 (TX4+)	25(RX4+)	pair	25(RX4+)	6 (TX4+)	pair
5 (TX4-)	24(RX4-)		24(RX4-)	5 (TX4-)	
3 (TX2+)	22(RX2+)	pair	22(RX2+)	3 (TX2+)	pair
2 (TX2-)	21(RX2-)		21(RX2-)	2 (TX2-)	
1, 4, 7, 13, 16, 19, 20, 23, 26, 32, 35, 38	1, 4, 7, 13, 16, 19, 20, 23, 26, 32, 35, 38	GND	8, 9, 10, 11, 12, 27, 28, 29, 30, 31	8, 9, 10, 11, 12, 27, 28, 29, 30, 31	EEPROM point at both ends

Compatibility Test

In order to ensure the product compatibility, our products will be tested on the switch before shipment. Our modules can compatible with many mainstream brand switches, such as Cisco, Juniper, Extreme, Brocade, IBM, H3C, HP, Huawei, D-Link, Mikrotik, ZTE, TP-Link...

Our test equipment: VOLKTEK MEN-4110, HP 2530-8G, CRS226-24G-25+RM, Catalyst 2960G Series, Catalyst 3850 XS 10G SFP+, Catalyst 3750-E Series, HUAWEI S5700Series, H3C S3100V2 Series, Juniper-EX4200, etc.



Cisco Catalyst 3850



HUAWEI S5700



H3C S3100V2



HP J9264AR



Juniper EX 4200



Alcatel 6850E-U24X



Mikrotik CR5226-24G-25+RM



Cisco Catalyst 2960G



Volktek MEN-4110

Quality Assurance

Continuous introduction of new equipment, produced by strict standards, strict quality inspection, to guarantee the high quality standard of each product.



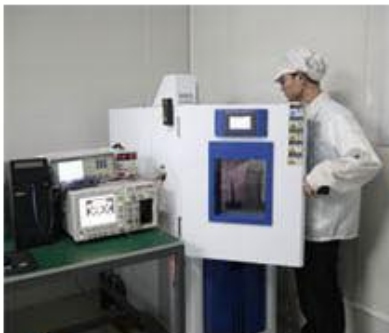
**Standardized
Production Line**



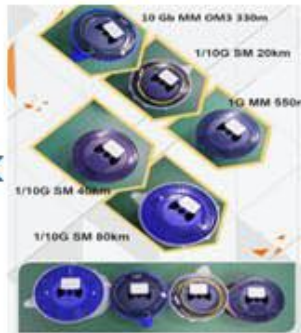
**Professional
Welding**



Assembling



Aging Testing



Distance Testing



Cleaning end face



Product Initial Test

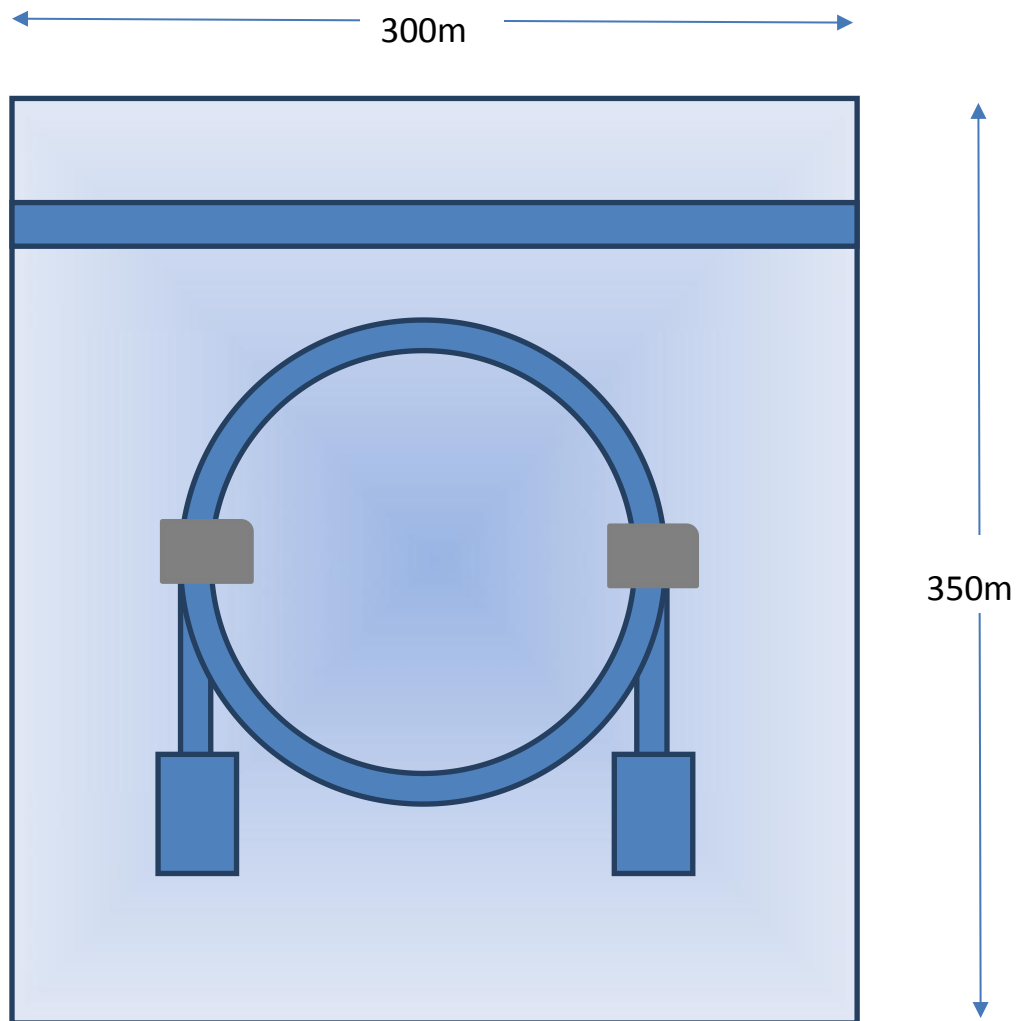


Switch Testing



Product Final Test

Packaging



Company: ETU-Link Technology Co., LTD

Address: 4th Floor, C Building, JinBoLong Industrial Park, QingQuan Road, LongHua District, Shenzhen city, GuangDong

Tel: +86-755 2328 4603

Addresses and phone number also have been listed at www.etulinktechnology.com.

Please e-mail us at sales@etulinktechnology.com or call us for assistance.