

EM-1100-MINI 10/100/1000M single port Mini Fiber Media Converter

Features

- Mini, size only 68L * 36W * 22H
- Dual / single fiber transmission 1 channel Ethernet, effectively saving fiber;
- 10/100/1000M adaptive;
- Fully support IEEE802.3、IEEE802.3u、IEEE802.3ab、IEEE802.3z 、IEEE 802.3i 、10BASE-T/IEEE 802.3u 、100BASE-TX、 IEEE 802.3x;
- Support IEEE802.3X Full duplex flow control and BACKPRESSURE half duplex flow control;
- Detects the VLAN address resolution protocol for packets;
- The network port supports parallel / crossover cable adaptation;
- Single / dual fiber optional, single mode / multi-mode fiber transmission, no relay Maximum transmission distance 120KM;
- No electromagnetic interference (EMI), radio frequency interference (RFI) and common ground circuit interference;
- With power, optical, Ethernet status LED instructions, you can monitor the system running;
- Industrial design, SMT surface mount technology;
- Iron shell Miniature structure;
- Low power consumption, plug and play, support hot-swappable, debug-free installation;
- + 5 ~12V wide range of power supply design;

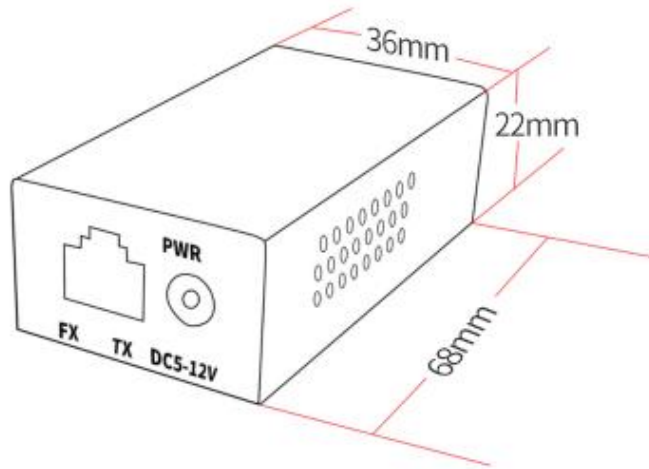
Description

The mini (micro) Ethernet fiber optic transceivers, the size is only 68L * 36W * 22H, smaller than the business card, easy to install in a variety of waterproof box or integrated ball machine inside (fiber Ball) and explosion-proof cameras, the product can be stable in the 0 °C ~ +50 °C harsh climate environment, +5 ~ +12 V wide range of power supply design can adapt to many occasions. This series can be a single fiber transmission 1 channel Ethernet , support 1 video server or network camera access.

Specification

Fiber interface parameters (single fiber / dual fiber)	
Wavelength	Single mode 1310nm/1550nm; Multimode 850nm/1310nm
Number of fiber cores	Duplex , Simplex
Transmission power	-9dBm/-5dBm
Transmission distance	0-120 KM
Receiver sensitivity	better than -34dBm
Fiber Connector	FC/SC/ST/LC optional
Ethernet interface	
Number of channels	1channel
Rate	10M,100M ,1000M
Standard	IEEE802.3/ IEEE802.3u / IEEE802.3ab / IEEE802.3z IEEE 802.3i 、10BASE-TIEEE 802.3u 、100BASE-TX、 IEEE 802.3x;
Support VLAN	support IEEE 802.1Q VLAN
Maximum package	supports up to 1600 Bytes of packet transmission
Network port sequence	automatic identification through and cross the line
Ethernet connector	RJ45 interface
Power and environmental indicators	
Power	5W-12W
Power supply	5V-12V
Operating temperature	-0° C~+50° C
Storage temperature	-50° C~+85° C
Working humidity	0 ~ 95% non-condensing
Physical characteristics	
Independent size (mm)	68L * 36W * 22H
Whole-set weight (kg)	0.2kg
Mean time between failures (MTBF)	100,000 hours or more
LED indicator	power, Ethernet, optical link, full / half duplex
Backplane bandwidth	3.2G / 2K

Pictures



FRONT PANEL