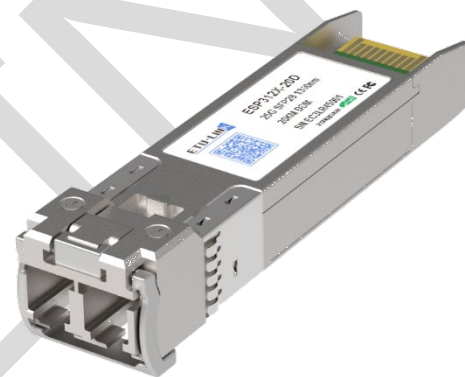


ESP312X-20D(I)

25Gb/s SFP28 20km DDM Transceiver

PRODUCT FEATURES

- Support data rate up to 25.78125Gb/s
- Hot-Pluggable SFP Footprint and duplex LC receptacle
- Up to 20km reach for G.652 SMF
- 1310nm DFB laser and PIN receiver
- Temperature Range:
 - Commercial:0°C ~70°C
 - Industrial: -40°C ~85°C
- Power consumption
 - Commercial:1.0W
 - Industrial:1.2W
- RoHS 6 compliance
- Compliant to IEEE 802.3cc, SFF-8472 and SFF-8419
- Complies with EU Directive 2015/863/EU



APPLICATIONS

- 25GBASE-LR
- CPRI option 10

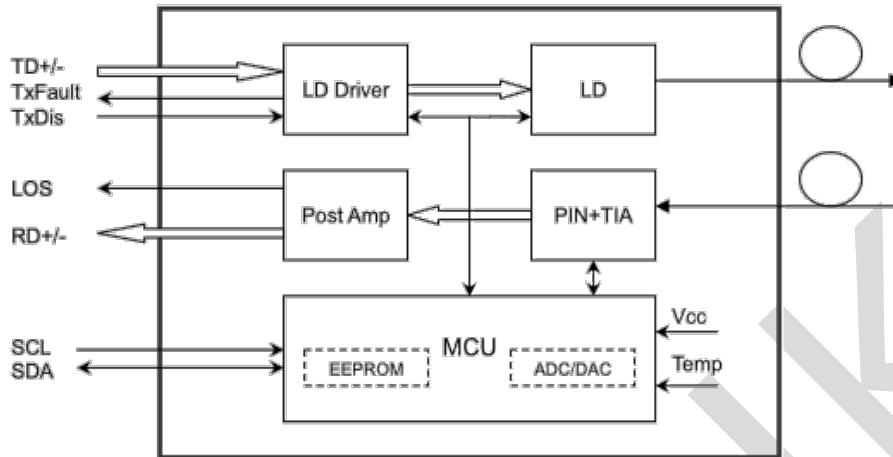
DESCRIPTIONS

The SFP28 transceivers are high performance, cost effective modules supporting data rate of 25.78Gbps and 20KM transmission distance with SMF.

The transceiver consists of three sections: a DFB laser transmitter, a PIN photodiode integrated with a trans-impedance preamplifier (TIA) and MCU control unit. All modules satisfy class I laser safety requirements.

The transceivers are compatible with SFP Multi-Source Agreement and SFF-8472 digital diagnostics functions.

Module Block Diagram



Ordering Information

Part No.	Data Rate(optical)	Laser	Fiber Type	Distance	Optical Interface	Temp	DDMI	Latch Color
ESP312X-20D	25.78Gbps	DFB	SM	20KM	LC	0~70°C	Y	Blue
ESP312X-20DI	25.78Gbps	DFB	SM	20KM	LC	-40~85°C	Y	Blue

Absolute Maximum Ratings

Parameter	Symbol	Min.	Typical	Max.	Unit	Notes
Storage Temperature	T _{stg}	-40		+85	°C	
Case Operating Temperature(Commercial)	T _o	0		70	°C	
Case Operating Temperature (Industrial)	T _o	-40		85	°C	
Relative Humidity - Storage	R _{HS}	5		95	%	
Relative Humidity - Operating	R _{HO}	5		85	%	
DC Supply Voltage	V _{CC}	0		3.6	V	

Recommended Operating Conditions

Parameter	Symbol	Min.	Typical	Max.	Unit	Notes
Case Operating Temperature	Top	0	-	70	°C	Commercial
		-40		85		Industrial
Power Supply Voltage	V _{CC}	3.13	3.3	3.47	V	
Transmission Distance	TD	-	-	20	km	Over SMF

Electrical Characteristics

High-Speed Signal: Compliant to CEI-25G-VSR

Low-Speed Signal: Compliant to SFF-8419

Parameter		Symbol	Min.	Typical	Max.	Unit	Notes
Transmitter (Module Input)							
Differential Input Resistance		R _{Rdin}	90	100	110	Ω	
Input Differential Voltage		R _{Vdiff}	-	-	900	mVpp	
Tx_Disable	Normal Operation	V _{IL}	-0.3	-	0.8	V	
	Laser Disable	V _{IH}	2.0	-	V _{CC} +0.3	V	
Receiver (Module Output)							
Differential Resistance		T _{Rd}	90	100	110	Ohm	
Output Differential Voltage		T _{Vdiff}	-	-	900	mVpp	
Differential Termination Resistance Mismatch		T _{Rdm}	-	-	10	%	
Rx los	Normal Operation	V _{OL}	-0.3	-	0.4	V	
	Loss Signal	V _{OH}	2	-	V _{CCHOST}	V	

Optical and Characteristics

Parameter		Symbol	Min.	Typical	Max.	Unit	Notes
Transmitter							
Optical Modulation Amplitude(OMA)		POMA	-4		2.2	dBm	1
Average Output Power		POUT	-7		2	dBm	
Average Output Power(Laser Off)		POFF			-30	dBm	
Wavelength		λ	1295		1325	nm	
Spectrum Bandwidth @ -20dB		Δλ			1	nm	
Side mode suppression ratio(SMSR)		SMSR	30			dB	
Extinction ratio		ER	3.5			dB	
Transmitter and dispersion penalty (TDP)					2.7	dB	
RIN ₂₀ OMA		RIN			-130	dB/Hz	
Receiver							
Wavelength		λ	1295		1325	nm	
Received Sensitivity(OMA)		P _{SEN-OMA}			-14	dBm	2
Stressed receiver sensitivity (OMA)		R _{SEN-OMA-stress}	-	-	-9.5	dBm	2
Optical Power Overload		P _{IN(SAT)}	2			dBm	
Damage threshold			3			dBm	3
Receiver Reflectance		RFL			-26	dB	
Rx_LOS of Signal Assert		P _A	-30			dBm	
Rx_LOS of Signal De-assert		P _D			-17	dBm	
Rx_LOS of Signal Hysteresis		P _{Hy}	0.5		5	dB	

Optical Return Loss Tolerance	ORLT	20				dB
-------------------------------	------	----	--	--	--	----

Notes:

1. The optical power is launched into SMF
2. Test pattern: PRBS31. BER<5x10⁻⁵;
3. The receiver shall be able to tolerate, without damage, continuous exposure to an optical input signal having this average power level. The receiver does not have to operate correctly at this input power.

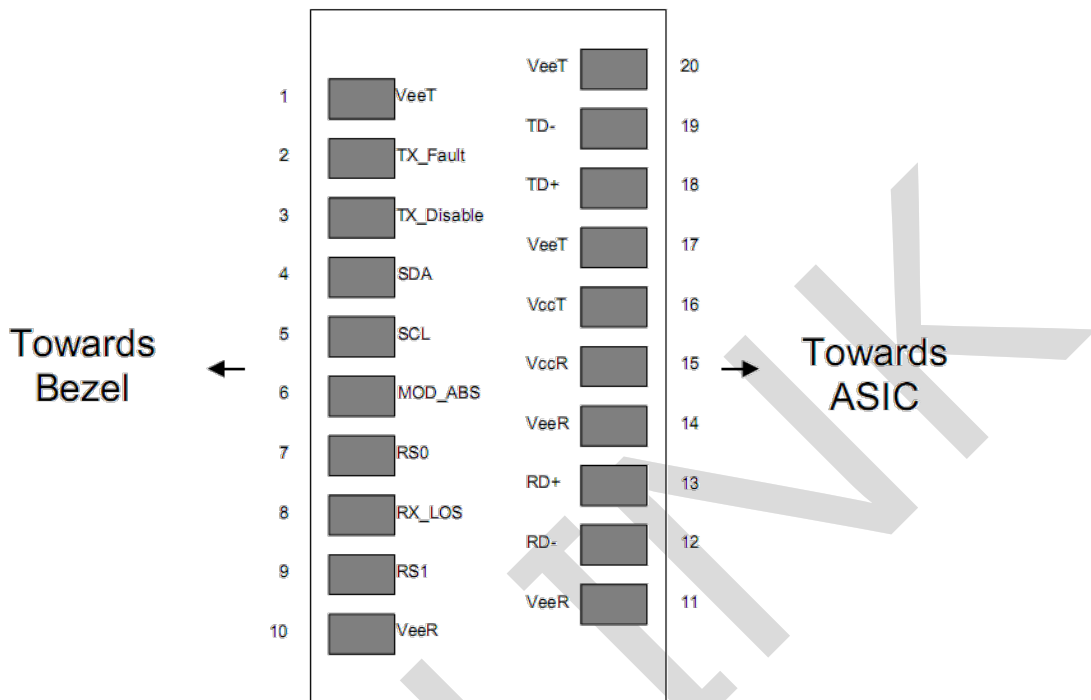
Digital Diagnostics

Parameter	Range	Accuracy	Unit	Calibration
Temperature	0 to +70	±3°C	°C	Internal
Voltage	3.0 to 3.6	±3%	V	Internal
Bias Current	0 to 100	±10%	mA	Internal
TX Power	-7 to 2	±3dB	dBm	Internal
RX Power	-14 to +2	±3dB	dBm	Internal

Communication Interface Timing Characteristics

Parameter	Symbol	Min.	Typical	Max.	Unit	Notes
Tx Disable Negate Time	t_on			2	ms	
Tx Disable Assert Time	t_off			100	µs	
Time To Initialize, including Reset of Tx Fault	t_init			300	ms	
Tx Fault Assert Time	t_fault			100	µs	
Tx Disable To Reset	t_reset	10			µs	
LOS Assert Time	t_loss_on			100	µs	
LOS De-assert Time	t_loss_off			100	µs	
Serial ID Clock Rate	f_serial_clock		100	400	KHz	
MOD_DEF (0:2)-High	V _H	2		V _{cc}	V	
MOD_DEF (0:2)-Low	V _L			0.8	V	

Pin Diagram



Pin Definitions

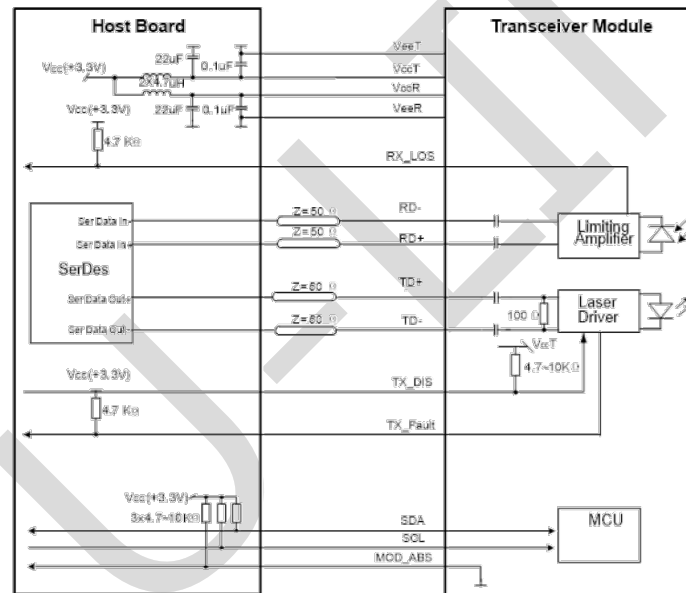
PIN #	Name	Function	Notes
1	VEET	Transmitter Ground	
2	TX FAULT	Transmitter Fault Indication	Note 1
3	TX DISABLE	Transmitter Disable	Note 2
4	SDA	SDA Serial Data Signal	
5	SCL	SCL Serial Clock Signal	
6	MOD_ABS	Module Absent. Grounded within the module	
7	RS0	Not Connected	
8	LOS	Loss of Signal	Note 3
9	RS1	Not Connected	
10	VEER	Receiver ground	
11	VEER	Receiver ground	
12	RD-	Inv. Received Data Out	Note 4
13	RD+	Received Data Out	Note 4
14	VEER	Receiver ground	
15	VCCR	Receiver Power Supply	
16	VCCT	Transmitter Power Supply	
17	VEET	Transmitter Ground	
18	TD+	Transmit Data In	Note 5

19	TD-	Inv. Transmit Data In	Note 5
20	V _{EET}	Transmitter Ground	

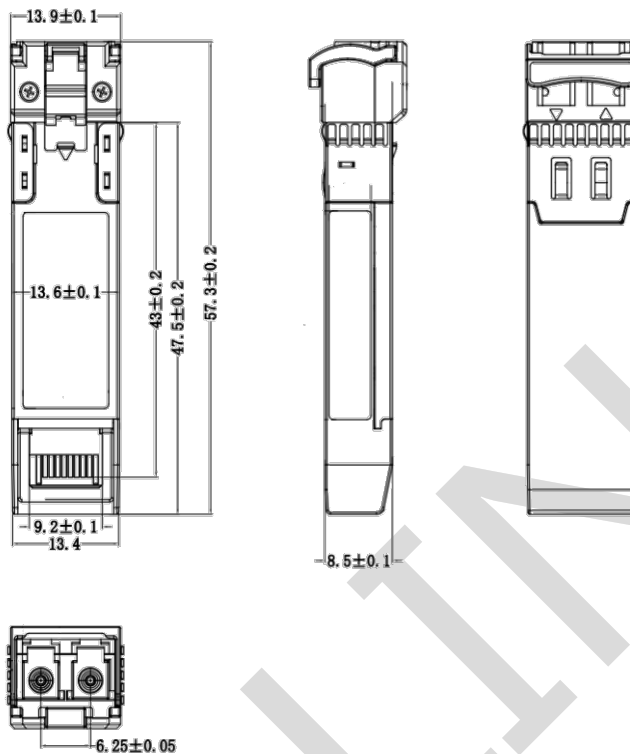
Notes:

1. TX Fault is an open collector output, which should be pulled up with a 4.7k~10kΩ resistor on the host board to a voltage between 2.0V and V_{cc}+0.3V. Logic 0 indicates normal operation; Logic 1 indicates a laser fault of some kind. In the low state, the output will be pulled to less than 0.8V.
2. Laser output disabled on TDIS >2.0V or open, enabled on TDIS <0.8V.
3. LOS is open collector output. Should be pulled up with 4.7k~10kΩ on host board to a voltage between 2.0V and 3.6V. Logic 0 indicates normal operation; logic 1 indicates loss of signal.
4. RD-/+ : These are the differential receiver outputs. They are internally AC-coupled 100 differential lines which should be terminated with 100Ω (differential) at the user SERDES.
5. TD-/+ : These are the differential transmitter inputs. They are internally AC-coupled, differential lines with 100Ω differential termination inside the module.

Recommended Interface Circuit



Mechanical Diagram



Revision History

Version No.	Date	Description
1.0	April,19, 2019	Preliminary datasheet
2.0	November,8,2023	Product upgrades
2.1	Aug 20, 2024	Format change

Company: ETU-Link Technology Co., LTD

Production base: Right side of 3rd floor, No. 102 building, Longguan expressway, Dalang street, Longhua District, Shenzhen city, Guangdong Province, China 518109

R&D base: Floor 4, Building 4, Nanshan Yungu Phase LI, Taoyuan Community, Xili Street, Nanshan District, Shenzhen

Tel: +86-755 2328 4603

Addresses and phone number also have been listed at www.etulinktechnology.com.

Please e-mail us at sales@etulinktechnology.com or call us for assistance.